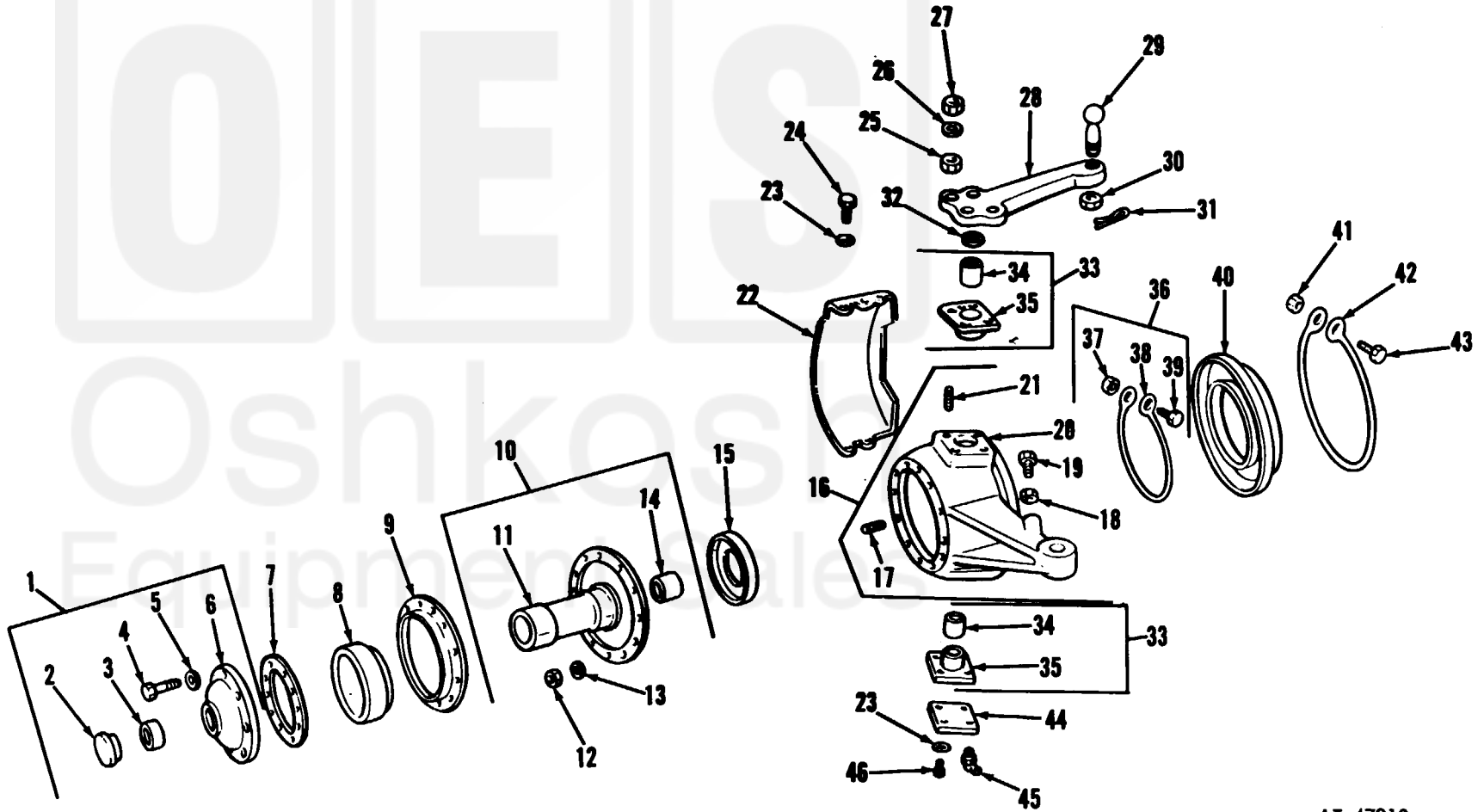


Current part is item (25) on diagram. Available at www.oshkoshequipment.com

(1) SMR Code	(2) Federal Stock Number	(3) DESCRIPTION	(4) UNIT	(5) Qty	(6) 30-day DS	(7) maint	(8) 30-day GS	(9) maint	(10) 1-yr Depot	(11) Illustration	(12) alw	(13) maint	(14) per	(15) 100	(16) equip	(17) 100	(18) Figure	(19) No.	(20) Item
Reference Number & Mfr. Code			Usable On Code			(a)	(b)	(c)	(a)	(b)	(c)	gcy							
1004-STEERING AND LEANING WHEEL MECHANISM-CONTINUED																			
P-O	5310-012-1983	NUT, PLAIN, HEXAGON: SPINDLE STUD 131983 (21540)	A	EA	10	*	*	*	*	*	*	6	20	71	12				
P-O	5310-616-6354	WASHER, FLAT: SPINDLE STUD MS35335-38 (96906)	A	EA	10	*	*	*	*	*	*	6	20	71	13				
P-F	3120-537-0614	BEARING, BRAKE: SPINDLE 7346983 (19207)	A	EA	2	*	*	*	*	*	*	15	30	71	14				
P-F	5310-033-6007	WASHER, FLAT: UNIVERSAL JOINT SPACER OUTER 7346986 (19207)	A	EA	2	*	*	*	*	*	*	6	10	71	15				
P-F	2530-734-6815	KNUCKLE ASSEMBLY: (LEFT, WITH STUDS) 7346815 (19207)	A	EA	1	*	*	*	*	*	*	4	10	71	16				
P-F	2530-734-6816	KNUCKLE ASSEMBLY: (RIGHT, WITH STUDS) 7346816 (19207)	A	EA	1	*	*	*	*	*	*	4	10	71	16				
P-F	5307-734-6811	STUD, PLAIN: KNUCKLE 7346811 (19207)	A	EA	12	*	*	*	*	*	*	8	20	71	17				
X1		NUT, PLAIN: A225876 (19207)	A		2									71	18				
X1		SCREW, MACHINE: A225875 (19207)	A		2									71	19				
P-F	2520-177-7906	KNUCKLE: 8758352 (19207)	A	EA	1	*	*	*	*	*	*	4	8	71	20				
P-F	5307-734-6900	STUD, PLAIN: KNUCKLE TO ARM 7346900 (19207)	A	EA	4	*	*	*	*	*	*	4	8	71	21				
P-F	2520-734-6977	GUARD: UNIVERSAL JOINT BOOT LEFT 7346977 (19207)	A	EA	1	*	*	*	*	*	*	4	10	71	22				
P-F	2530-734-6978	GUARD: UNIVERSAL JOINT BOOT, RIGHT 7346978 (19207)	A	EA	1	*	*	*	*	*	*	4	10	71	22				
P-F	5310-820-6653	WASHER, LOCK: BOOT GUARD MS35338-50 (96906)	A	EA	7	*	*	*	*	*	*	6	10	71	23				
P-F	5305-044-5503	SCREW, MACHINE: BOOT GUARD MS90725-160 (96906)	A	EA	6	*	*	*	*	*	*	6	10	71	24				
P-F	5340-427-2282	BUSHING, TAPERED: STEERING KNUCKLE AND BEARING 7346812 (19207)	A	EA	4	*	*	*	*	*	*	8	20	71	25				
P-F	5310-800-0695	WASHER, FLAT: ARM MS35335-39 (96906)	A	EA	4	*	*	*	*	*	*	6	10	71	26				
P-F	5310-274-7721	NUT, PLAIN, HEXAGON: STEERING KNUCKLE ARM 7346813 (19207)	A	EA	4	*	*	*	*	*	*	6	10	71	27				

Current part is item (25) on diagram. Available at www.oshkoshequipment.com



AT 47210

Figure 71. Steering knuckle and related parts.